

High Resolution Vari-focal Vandal Proof Electronical Day/Night Color Dome Camera

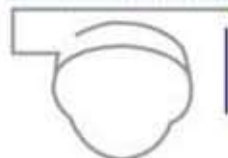
VP-VI1530 & 1531

Digital



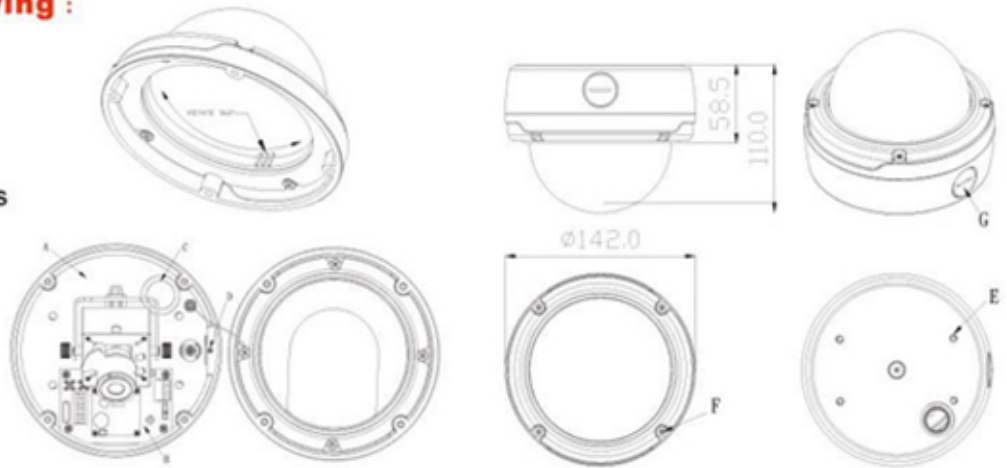
FEATURES

- ▶ 1/3" SONY Super-HAD CCD
- ▶ 3.7~12mm auto iris lens
- ▶ Heavy-duty 10 pound durability
- ▶ Water resistance IP 66 protection
- ▶ 530 TV lines crisp resolution
- ▶ 0.5 lux min. illumination at F1.4
- ▶ Auto electronic shutter
- ▶ Advance digital signal processing technology
- ▶ Three-Axis rotation mechanism design
- ▶ Two mode Day-color & Night-mono IR projector acceptable
- ▶ Smart control board various dip switch selectable function



Mechanical part drawing :

- A. Camera
- B. PC assembly
- C. Back conduit entry
- D. Side conduit entry
- E. Inner plate mounting holes
- F. Security screw
- G. Plug
- H. Adjust the inner cover



SPECIFICATIONS :

Model No.	VP-VI1530	VP-VI1531
Power requirements	DC 12V	DC 12V + AC 24V
Synchronization	Internal / Line-Lock (for AC Power)	
Image device	1/3" SONY Super HAD CCD	
Scanning system	P:625 lines, N:525 lines 2:1 interlace	
Picture elements	PAL: 795 x 596, NTSC: 811 x 508	
Horizontal resolution	530 TV lines	
Current drain	500 mA, @12VDC	
Min. illumination	0.5 lux @F1.4	
IR wavelength	IR Projector Acceptable: 700~1100nm	
S/N ratio	Better than 50 dB	
Gain control	ON/OFF switchable	
Focal length	3.7~12mm@ F1.6	
White balance	AWB	
Gamma	0.45	
BL compensation	ON/OFF switchable	
Power consumption	5W	
Product material	Metal	
Video output	1Vp-p, 75Ω composite	
Vandal proof	10 pounds of sledgehammer durability	
IP rate	IP 66	
Operating temperature	-10°C ~ 50°C (14°F ~ 122°F)	

* Specification and design are subject to be change without notice.

Optional Wall / Pendant / Ceiling Mount Available :

